



Overhead Track Hardware

Standard Specifications

Page	Component
1.	Flat Track
2.	Wheel Carrier Strap (Basic)
3.	Wheel Carrier Strap (Designer)
4.	Wheel Carrier Assembly Diagram
5.	Standoff Specifications
6.	End Stop Specifications
7.	Anti-Jump Block
8.	Door Bottom Stabilizer Specifications
9.	Track Splicer



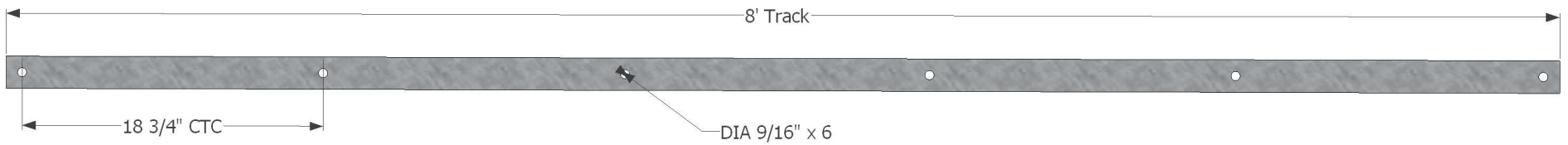
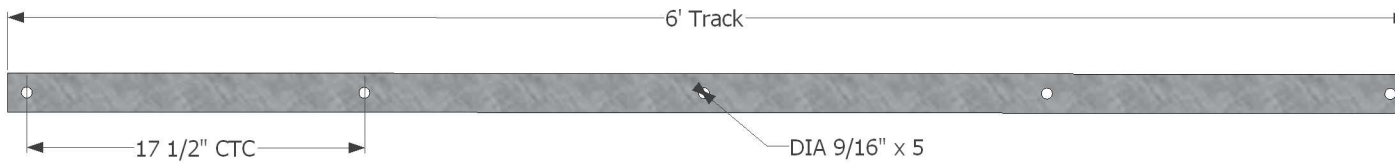
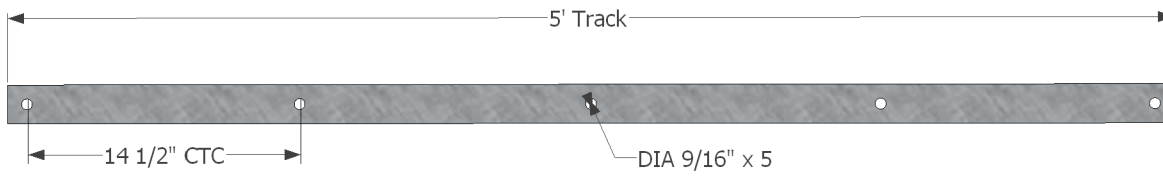
Flat Track Specifications

Material: 2" x 1/4" Metal (Distressed and Smooth Versions)

End Holes: Set at 1" from track ends

RH101 (Smooth)

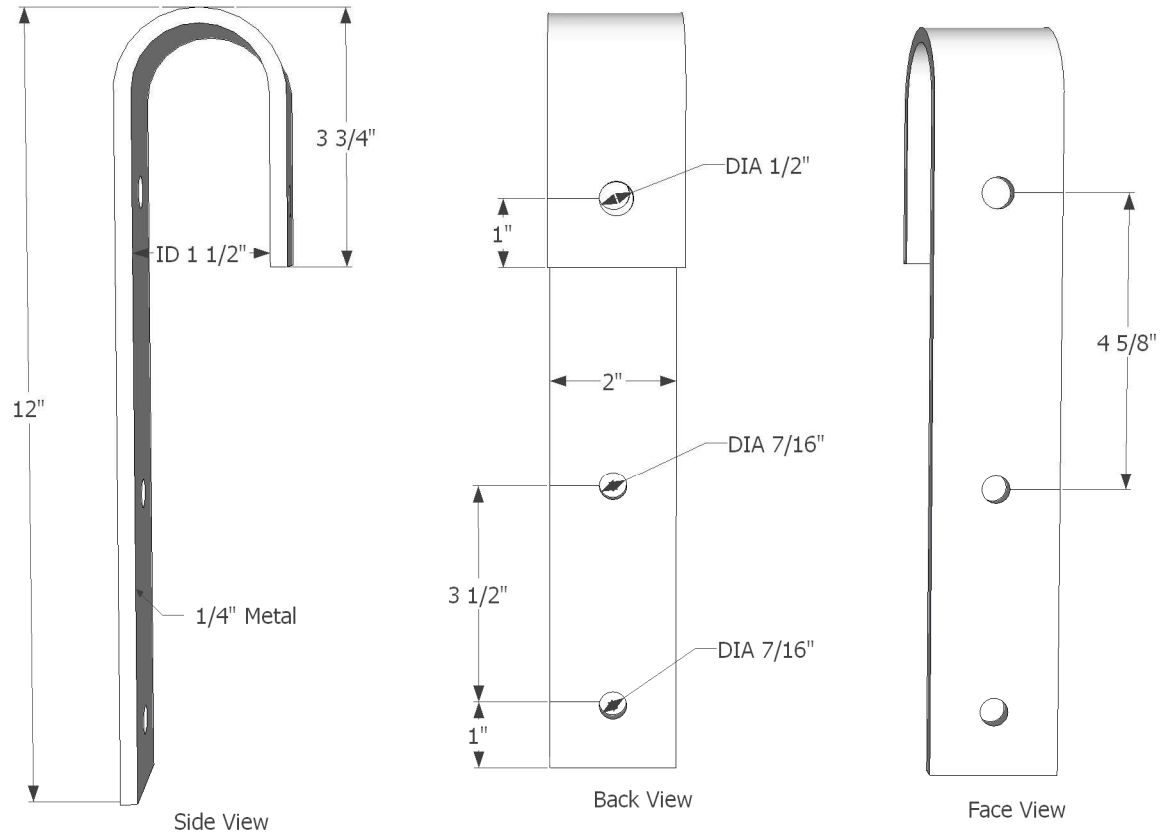
RH103 (Distressed)



Wheel Carrier Strap, Basic Version

RH201 (Smooth)

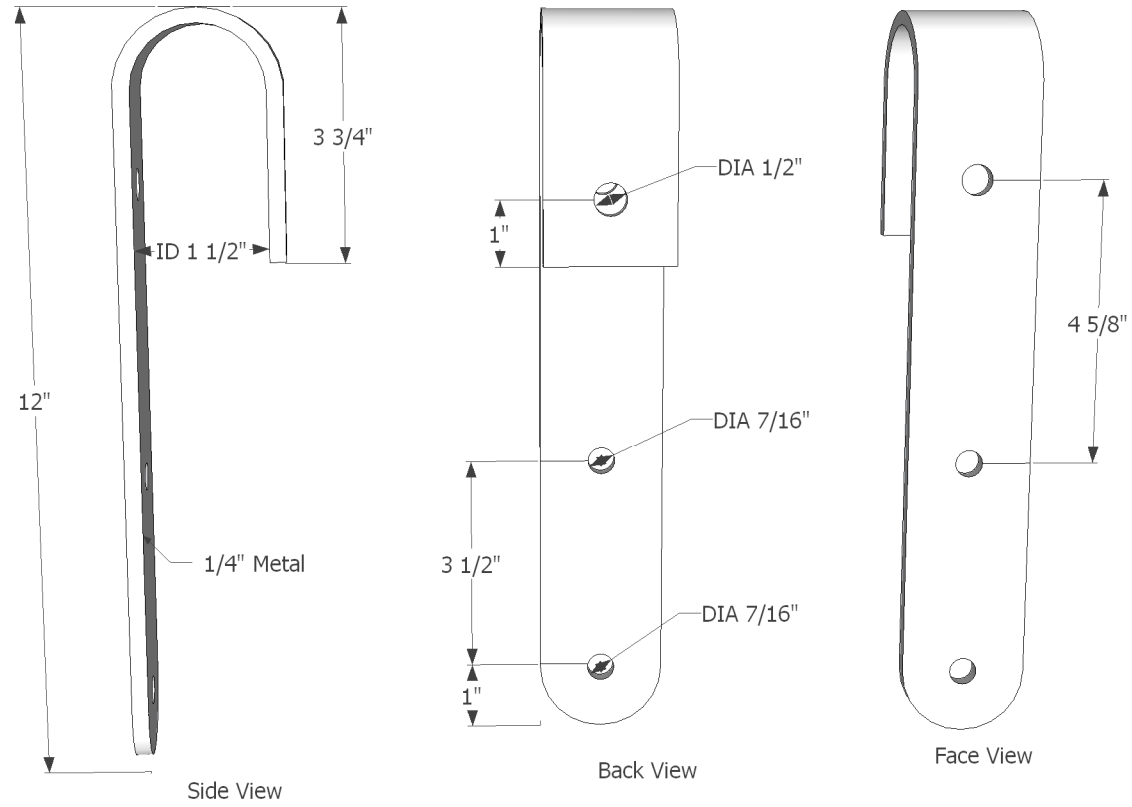
RH205 (Distressed)



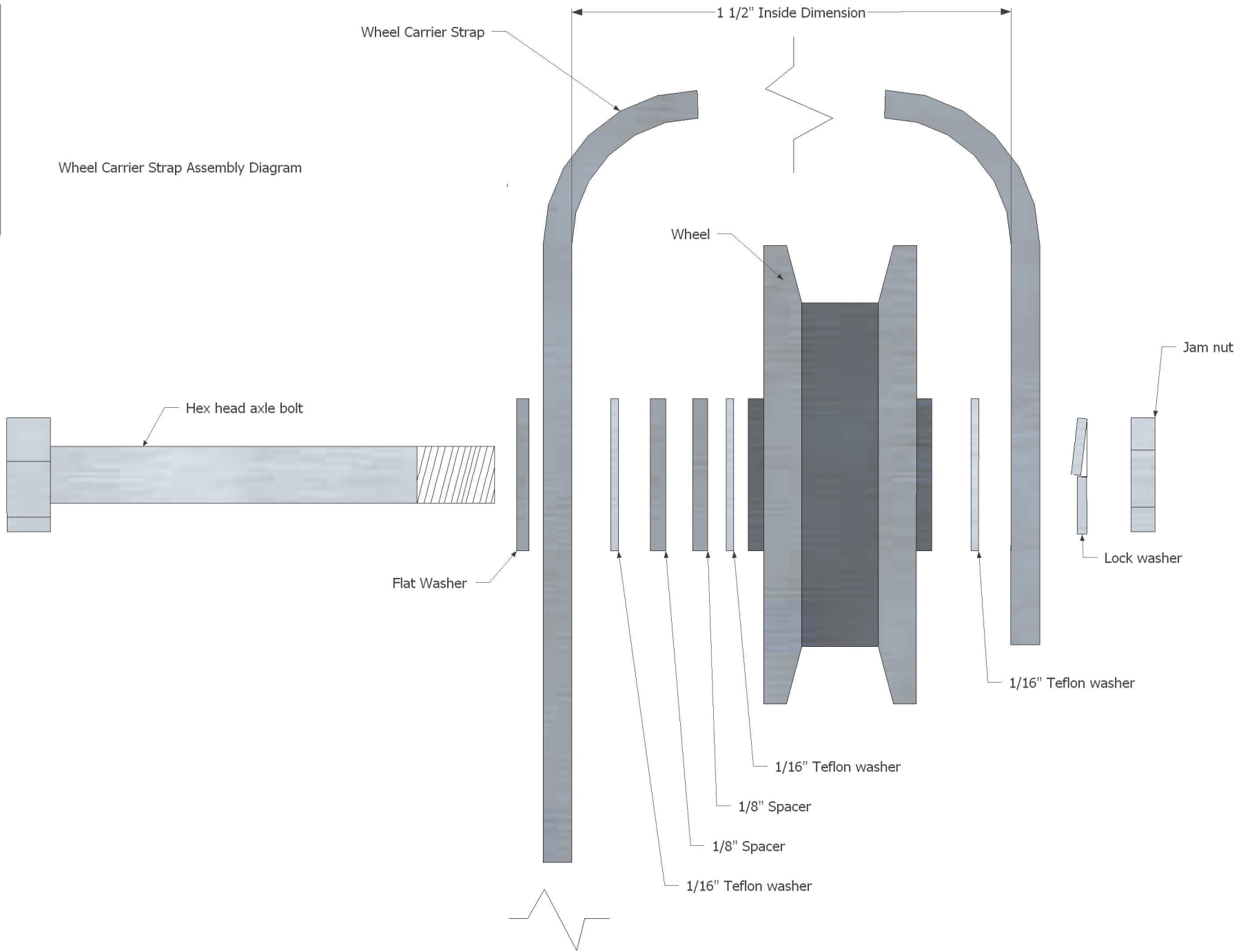
Wheel Carrier Strap, Designer Version

RH203 (Smooth)

RH207 (Distressed)



Wheel Carrier Strap Assembly Diagram

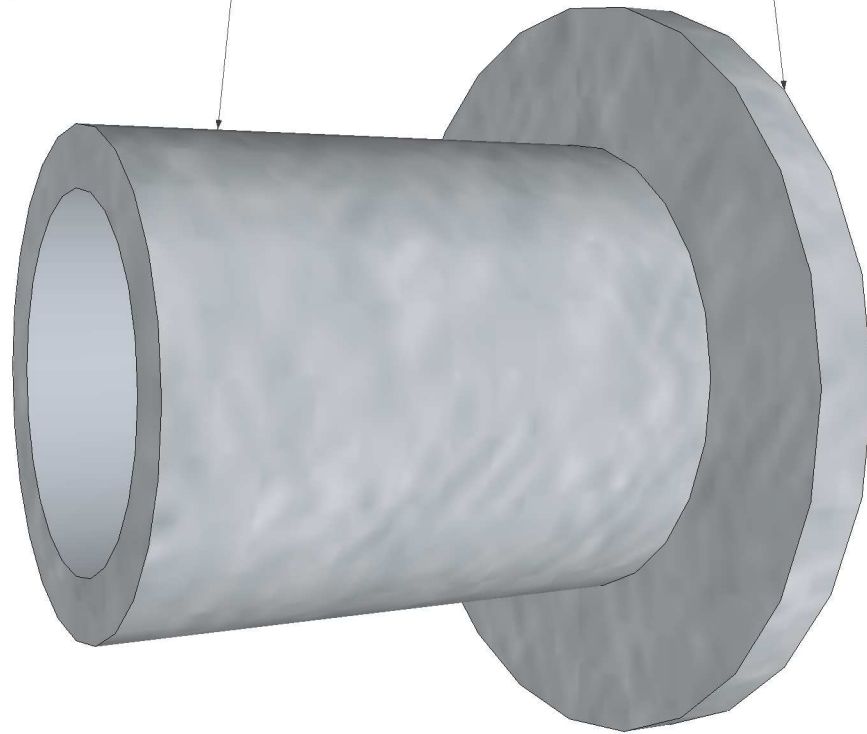


RH301 - Wall Standoff

1" Dia x 1 3/16" PTR

1 5/8" Dia x 3/16" Backplate

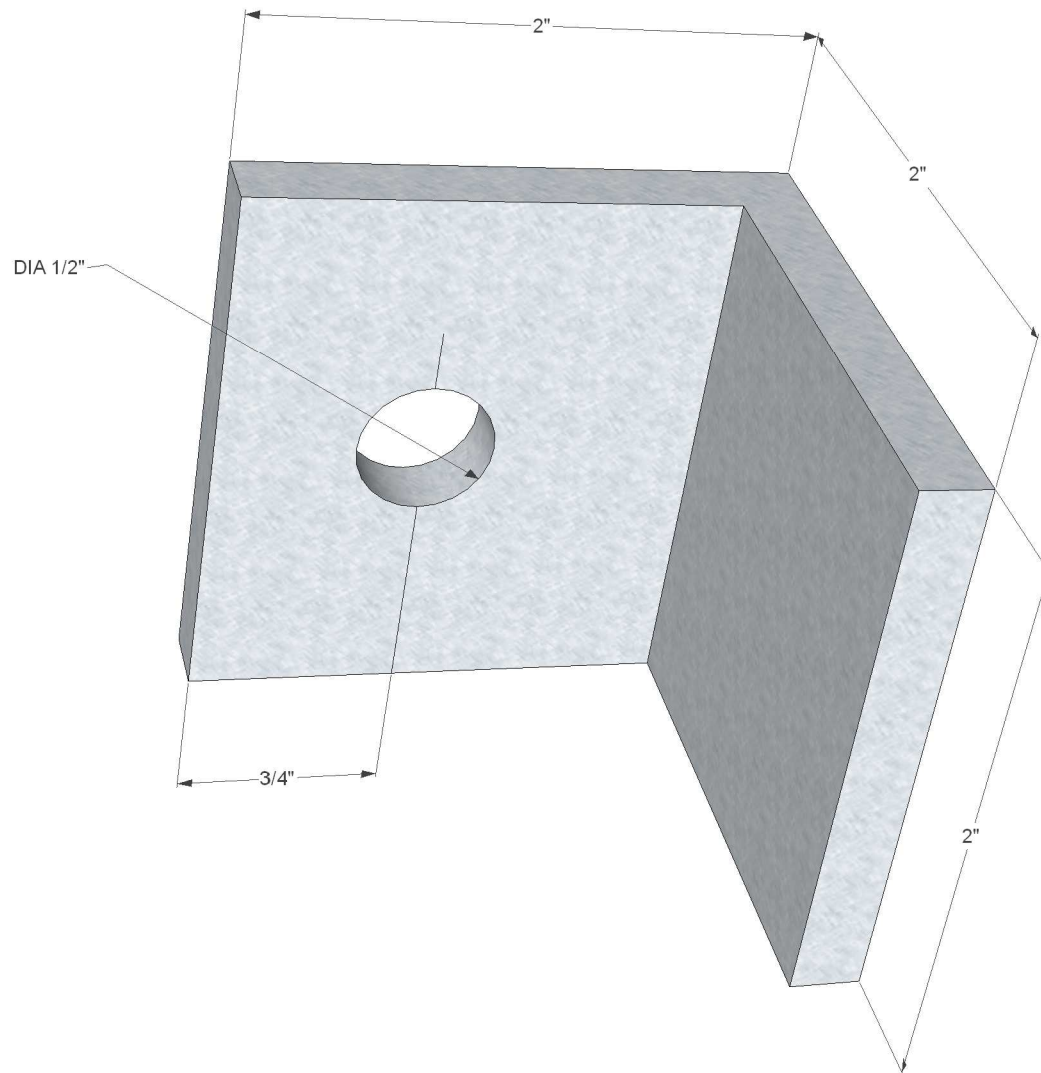
1 3/8" Total length



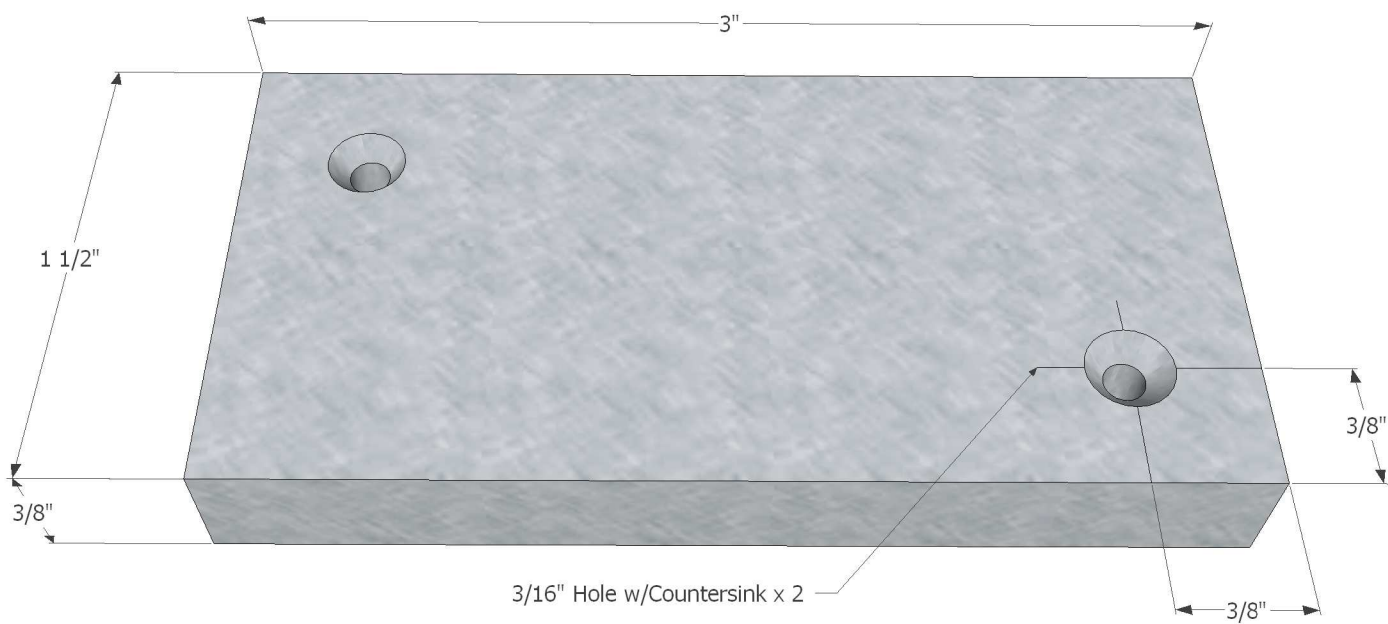
End Stop (2 pack)

RH501 (Smooth)

RH701 (Distressed)



RH801 - Anti Jump Block



RH901 Door Bottom Stabilizer (2 pack)

